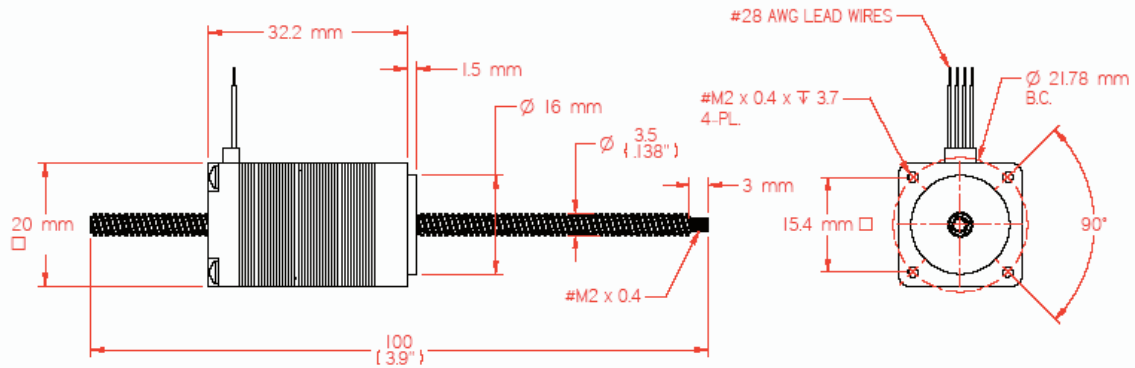


Hybrid Linear Stepper Motor Actuator Size 8

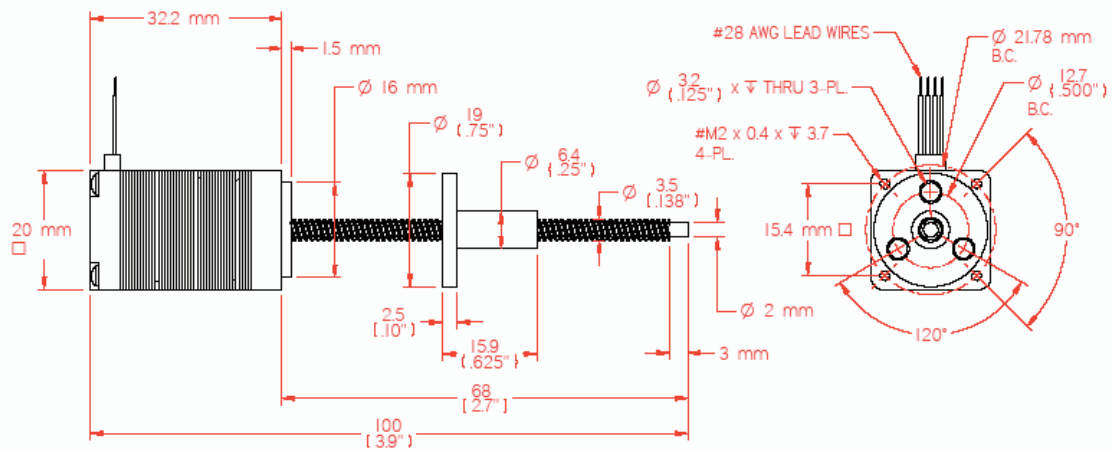
SIZE 8 (21mm)			
PART NUMBER	Non-Captive	21NC4LSXX-V	
	External Lin.	21EL4LSXX-V	
WIRING	BIPOLAR		
OPERATING VOLTAGE	2.5	5	7.5
CURRENT / PHASE	0.49A	0.24A	0.16A
INDUCTANCE / PHASE	1.5mH	5.0mH	11.7mH
POWER CONSUMPTION	2.45W		
ROTOR INERTIA	2.5 gcm ²		
TEMPERATURE RISE	135°F (75°C)		
WEIGHT	1.5 oz (43g)		
INSULATION RESISTANCE	20 MΩ		

LINEAR TRAVEL / STEP 0.138" DIAMETER SCREW (3.5mm)			LEAD-SCREW ORDER CODE
DIAMETER	INCHES	MILLIMETERS	INSERT CODE INTO PART NUMBER
0.138"	0.00024	0.006096	LS04
0.138"	0.000395	0.010033	LS01
0.138"	0.00079	0.020066	LS02
0.138"	0.001575	0.040005	LS03

SIZE 8 NON-CAPTIVE - LINEAR ACTUATOR



SIZE 8 EXTERNAL - LINEAR ACTUATOR



Size 8 - Linear Motor

